



Everything the budding camcorder user needs can be found on the CCD-TRV328. A 2.5" SwivelScreen™ LCD is perfect for framing the action; NightShot® Plus infrared system lets you capture the image in low light or even total darkness as well as Sony's SteadyShot Image Stabilization system. Sony's exclusive InfoLithium® battery system displays the exact number of minutes available on your battery, so you never miss the shot.

FEATURES

Video Hi8™ Recording

Records outstanding video quality up to 400 lines of horizontal resolution with Hi-Fi sound on affordable Hi8 and 8mm tapes.

1/6" CCD Imager, 320K Pixels Gross

1/6" CCD imager with 200K (effective) pixels provides great detail and clarity, with exceptional analog video performance.

20X Optical/990X Digital Zoom




The optical zoom helps to bring the action up close from far away. In addition, the digital zoom interpolation means that extreme digital zooming is clearer, with less distortion than previous types of digital zooms.

2.5" SwivelScreen™ LCD Display (123K Pixels)

Provides excellent viewing clarity with improved resolution. The high-resolution 123K pixels LCD rotates up to 270-degrees for multiple viewing angles providing a sharp detailed images for monitoring or playback.

InfoLithium® Battery with AccuPower™ Meter System

 Charge the battery at any time because unlike NiCad (Nickel Cadmium) batteries Sony's rechargeable Lithium-Ion batteries are not subjected to a life shortening "memory effect". Sony's exclusive AccuPower™ meter displays the battery time remaining in minutes, in the viewfinder or the LCD screen.

▶ SteadyShot® Picture Stabilization System



Picture stabilization system that uses motion sensory to detect and compensate for camera "shake" without compromising picture quality like some other digital stabilization systems.

Multi-Language Menu

Change the menu display from English to English (Simplified), French, Spanish, Portugese, Chinese (simplified) or Korean.

Easy Dubbing

Connect the Handycam camcorder to a VCR deck to make VHS copies of your home videos quickly and easily. The camcorder will control up to 59 brands of VCRs.

NightShot® Plus Infrared System



With Sony's NightShot® Infrared system you can capture natural looking video even when shooting in low light up to 10 feet away using the built-in infrared system without the monochrome color.

Stamina® Battery Power Management System



Using the optional NP-QM91D InfoLithium® battery the CCD-TRV328 can continuously record up to 16 hours on one complete charge, providing extra long battery life.

Program AE (Auto Exposure) Modes



Program AE modes make recording easy even when filming in challenging situations. Choose from Portrait, Beach & Ski, Sports Lesson, Landscape, Spotlight, Sunset & Moon modes.

Picture Effects



Get creative when recording or playing back videos with Sony's Picture Effect modes. Effects available in Camera mode: Negative Art, Sepia, Monotone, Solarize, Slim, Stretch, Pastel and Mosaic. Effects available in Playback mode: Negative Art, Sepia, Black & White and Solarize.

End Search

Advances the video tape to the last 5 seconds of the recorded scene. This prevents accidentally recording over previous recorded videos.

Fader Effects

Enhance your personal videos by adding professional looking fader effects. Choose from Black, Mosaic, White, Monotone and Stripe.

Titling

Add professional looking titles to your videos, select from 8 preset or 2 customized titles with up to 22 characters.

Battery Information



Battery information is displayed on the LCD when charging and when the camera is turned off. The display will show how much the battery is charged in 10% increments and the recordable time left using either the LCD or the viewfinder.

Built-In White LED Light

Brightens your videos when shooting in low light with low power consumption.

Manual Focus



Allows the user to determine the focus of their choosing by adjusting the cameras focus ring allowing more creativity and/or effects. Manual focusing also allows the user to control the cameras focus in difficult situations where either the subject or environment does not allow the cameras auto-focus to perform at an optimal level.

Easy Handycam Button



Using a camcorder can be intimidating for some people, so with a press of the Easy Handycam button, most of the advanced functions of the camcorder are "locked out" leaving only the buttons essential for recording operational.

CCD-TRV328

Imaging Device: 1/6" 320K Gross Pixel CCD
Video Actual: 200K Pixels
Still Actual: N/A
F: 1.6-2.4
Focal Distance: 2.5-50mm
35mm Conversion: 42-840mm
Filter Diameter: 37mm
Optical Zoom: 20X
Digital Zoom: 990X
Focusing: Full Range Auto/Manual (Dial)
Minimum Illumination: 1 Lux (0 Lux with NightShot® Plus Infrared System)
NightShot® Infrared System: NightShot Plus
Shutter Speed: 1/60 – 1/4000 (AE Mode)
Viewfinder: Black and White, 90K Pixels
LCD: 2.5" Color (123K)
Accessory Shoe: N/A
Video Input/Output: No/Yes (S-Video, Mini)
Audio Input/Output: No/Yes (Mono, Special)
USB: N/A
USB Streaming: N/A
Headphone Jack: N/A
Mic. Input: N/A
White Balance: Auto
Exposure: Yes, Dial (24 Step)
Power Consumption (VF/LCD/VF+LCD): 1.8W/2.7W/2.9W
Dimensions (WHD): 3 3/8" x 3 7/8" x 6" (85 x 98 x 151mm)
Weight: 1 lb. 11oz. (780g) without Tape and Battery

SONY

Sony Electronics Inc.
16765 West Bernardo Drive
San Diego, CA 92127
www.sony.com/di
For more information:
1.800.352.SONY

©2004 Sony Electronics Inc.
Reproduction in whole or in part without written permission is prohibited. All rights reserved.
Sony, AccuPower, Handycam, Hi8, InfoLithium, NightShot, Stamina, SteadyShot, SwivelScreen, and Worry Free are trademarks of Sony. Features and specifications subject to change without notice. Non-metric weights and measures are approximate.

Martel's in car video system come Standard with a 16 channel 800Mhz wireless microphone system



Features:

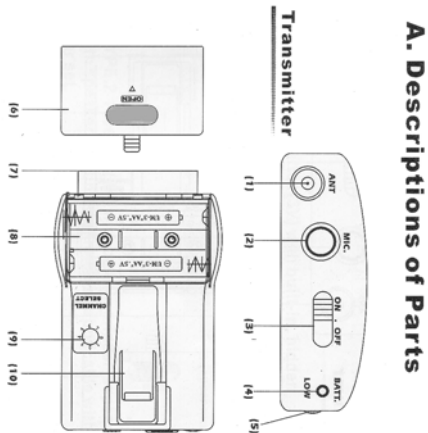
- 1500 Feet of Range
- **No corded lapel microphone cable for the officer to wear**
- The microphone is built into the transmitter
- 800Mhz frequency is less crowded than 900Mhz and 2.4Mhz because these frequencies are home phone frequencies.
- 16 Separate channels, so 16 officers can arrive on scene and not interfere with each other.
- Wireless belt activation
- Automatic Desktop charge unit included
- Comes standard on all Martel video system
- Audio transmitter is so Small, it is the size of a Badge!
- Drop in Charging unit



Wireless Microphone and Receiver Specifications

Key Specifications/Special	
Oscillation mode	PLL synthesized
Carrier frequency range	UHF 740~960MHz(according to regulation)
Frequency	Pre-programmed 16 switchable frequencies
Switching bandwidth	Max. 10 MHz
Stability	+/-0.005%
Max deviation	+/-50 kHz, with level limiting
Dynamic range	>100dB
T.H.D.	<0.5%(at 10kHz Deviation)
Pre/De-Emphasis	50μs
Squelch	tone key and noise lock dual-squelch
Frequency response	90Hz~16kHz
Operating range	500m(opening field)
Power supply	AC adaptor (DC 10~15 V/0.5A)

Transmitter Specifications



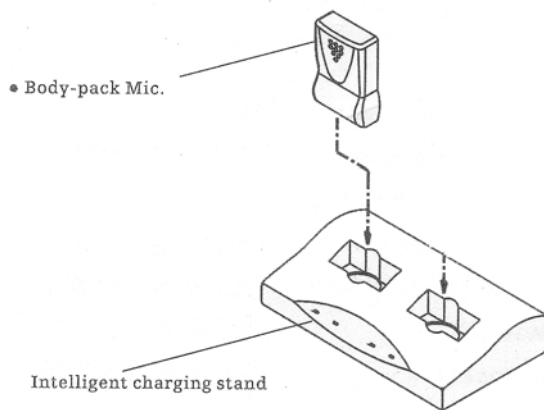
Body-pack transmitter (PRO-800)	FCC APPROVED
Mike	condenser microphone
Antenna	helical antenna
RF output	10~15mW(according to regulation)
C/N Ratio	>110dB
Spurious	<-60dBc
Battery	1.2Vx2AA type Ni-CD. or Ni-MH. rechargeable battery
Battery life	8~15 hours (use Ni-CD. or Ni-MH.)
Dimensions	92x65x25mm
Weight	80g

Receiver Specifications

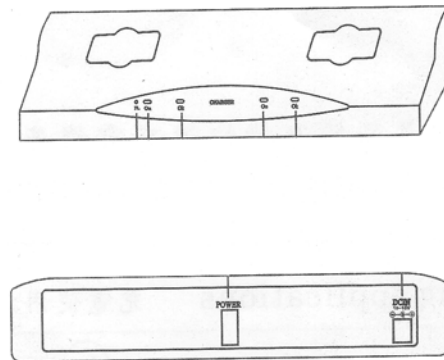
Receiver	
Receiving mode	PLL single-channel receiving
Sensitivity	4 μ V(at 20 dB SINAD)
Antenna	fixed type helical antenna
Audio output	unbalanced, 0~300mV / 2K adjustable
Dimensions(DxWxH)	230x135x47mm
Weight	450~500g
Intelligent quick charging	EJ-801RC, EJ-802RC, HDC-202

Desktop quick charging unit (Never buy batteries again)

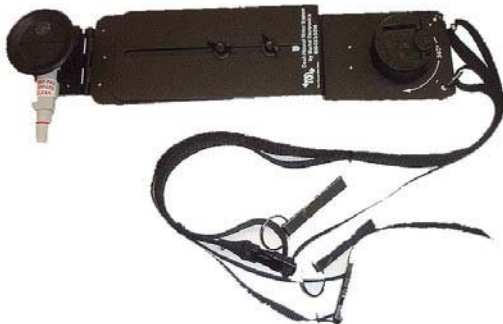
Charging applications



A. Intelligent charging stand



Dash-hound Mounting bracket



The dash-hound comes with an Aircraft Grade Aluminum dash mounting bracket.

- 1. Two piece design allows for user to adjust the mount to their dash.
- 2. Nylon straps hold the mount firmly in place.
- 3. No tools required to install in vehicle.
- 4. Professional suction cup pumps directly to window and when straps are in place creates a vacuum that wont come loose.

Our Power/Control unit allows you to plug the entire unit right into the cigarette socket in the car. Once you have installed the power to the system, you can easily install the light bar recording activation feature. This feature allows the camera to start recording without the officer manually activating the system.

For more information, please contact:

**Martel Electronics
23221 E. La Palma Ave.
Yorba Linda, CA 92887**

**(800) 553-5536 ph
(800) 553-6954 fx
www.marteldirect.com**